



RITMO

10
YEARS OF
GUARANTEE

OUTSTANDING

- May be erected quickly without fastening fittings between post and frame
- Rigidity and quality of the materials
- Exceptional service life due to their anticorrosion coating
- Complete system

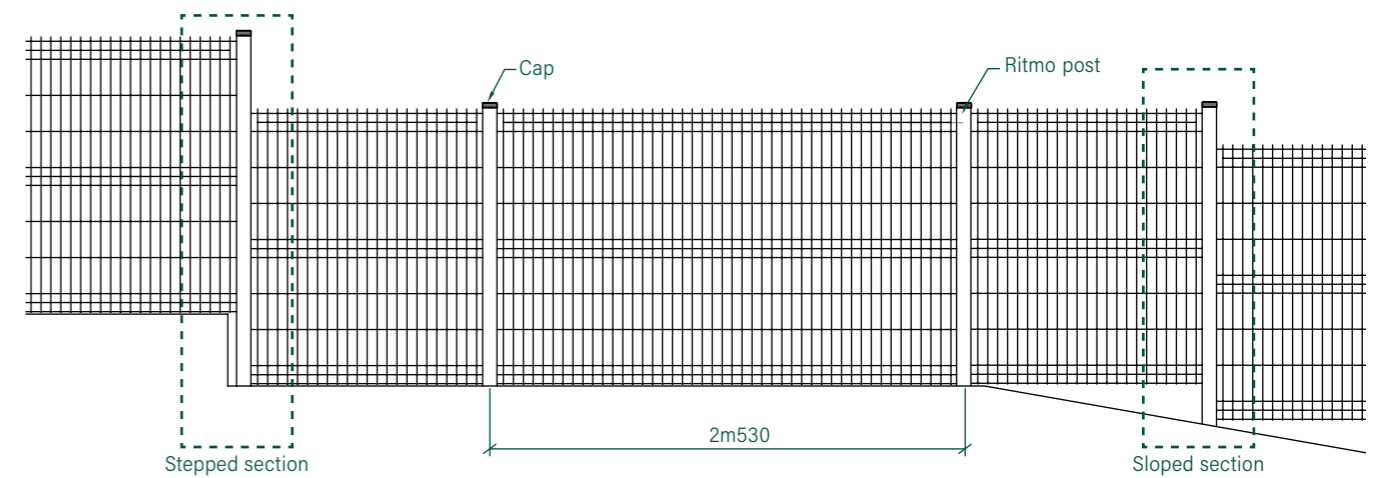
Application places



*except for sporting areas

Assembly

Fixing system without brackets for very simple and tamper-proof installation. The panels are fixed directly to the post notches and adjusted to the required height.



STEPPED SECTION

Install the longest post (normal length + step) on the lower part and attach both the upper and the lower panels to it using twice the number of brackets.

SLOPED SECTION

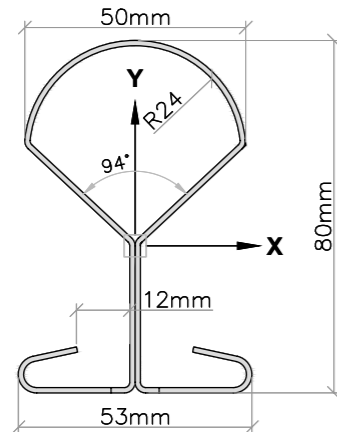
Install the longest post (normal length + slope) on the lower part and attach both the upper and the lower panels to it, using twice the number of brackets.

Technical features

POST

- Ritmo-type post 1.2mm thick (I/V=5.46cm³). Profile specially shaped to help the installation of the panels. The panels are inserted directly into the notches that are specifically designed to support and adjust the fence
- Steel carbon plate according to the EN-10346 standard
- Minimum elastic resistance 250 N/mm².
- Minimum mechanical resistance 330 N/mm²
- Posts provided with polypropylene cap which will not degrade in harsh weather

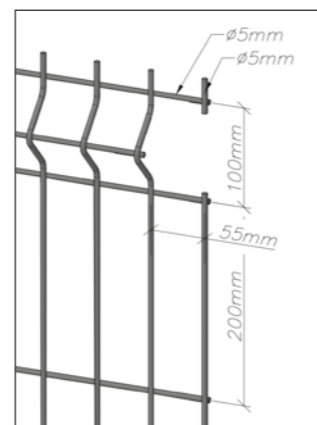
Detail of Ritmo post
 Profile weight: 2.65Kg/ml
 Galvanised sheet
 I/V= 5.66cm³



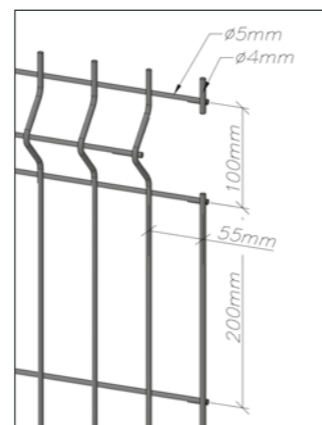
PANEL

- Welded woven wire panels with multiple knots to increase rigidity
- Dimensions of the panels: 200/55
- Wire diameter: 5mm
- Defensive spike finishing on top or bottom following panel orientation

Ritmo frame detail



Ritmo medium frame detail

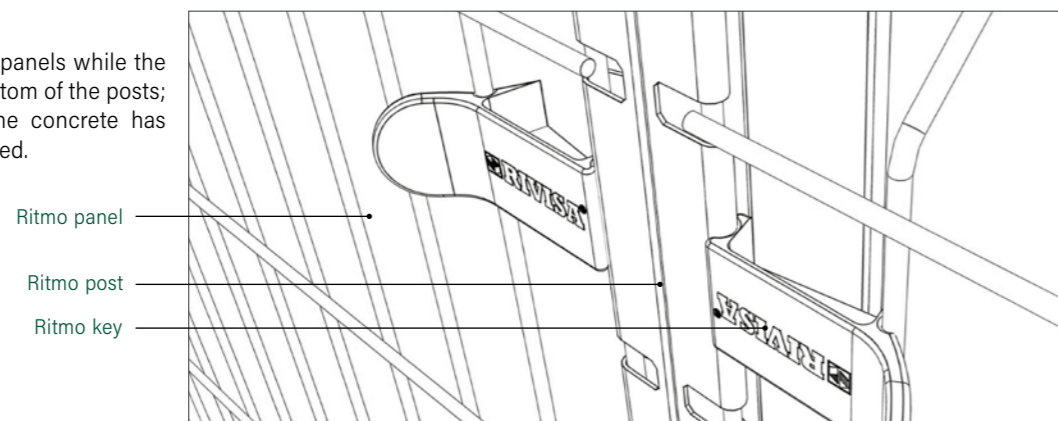


TYPE	PANEL			POST		RITMO KEYS X POST	DISTANCE BETWEEN POST AXES	
	LENGTH	TYPE	FOLDS	TYPE	TOTAL LENGTH CEMENTED			TOTAL LENGTH PLATE
0m60	2m495	0m63	2	RITMO	0m90	0m70	2	2m 530
0m80		0m83						
1m00*		1m03						
1m20*		1m23						
1m50		1m43	3		4			
1m50*		1m53						
1m80*		1m73						
2m00*		1m93						
2m00		2m03	4			2m50	2m10	
2m40		2m43				2m90	2m50	

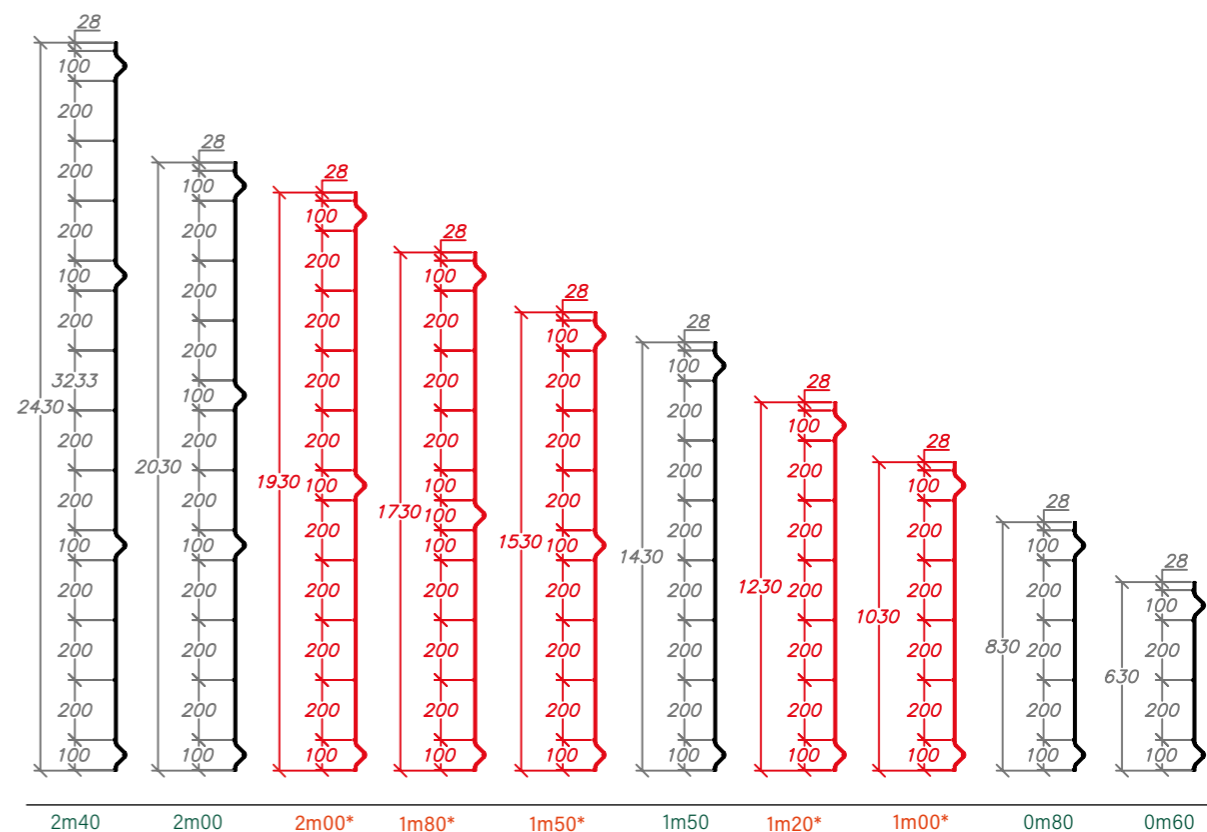
*Ritmo panel and Ritmo Medium

RITMO KEY

Locking part to secure the panels while the concrete hardens at the bottom of the posts; it is reusable and once the concrete has hardened, it must be removed.



Side view



*Ritmo y Ritmo Medium

Anchoring system

FOUNDATION

On the ground or wall surfaces, the foundations of the posts can be made using concrete.



BASE PLATE

Optional installation of a base plate, for installing the post on a concrete wall. Dimension of a plate 120x120x8mm.



BASE PLATE IN L

Option to add an L-plate L-plate to fix the posts to a concrete wall. Plate dimensions: 120x120x8mm.



SIDE PLATE

Option of installing Ritmo posts with a side plate.



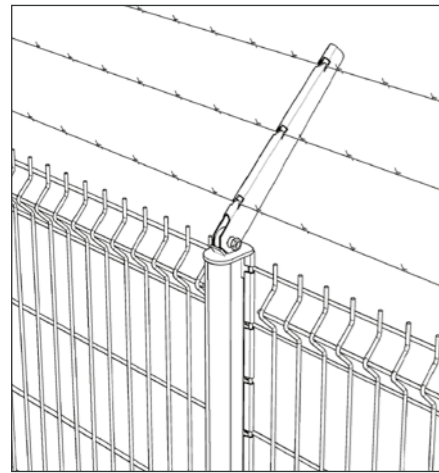
CONCRETE BASE WALL

It is possible to include a concrete slab 500mm high and 40mm thick between the line posts to act as a wall. No civil works are needed.

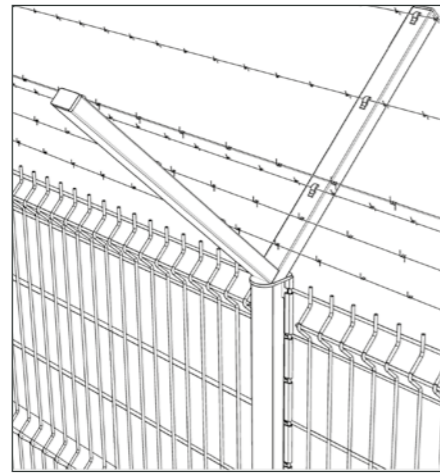


Section with extension (bayonet)

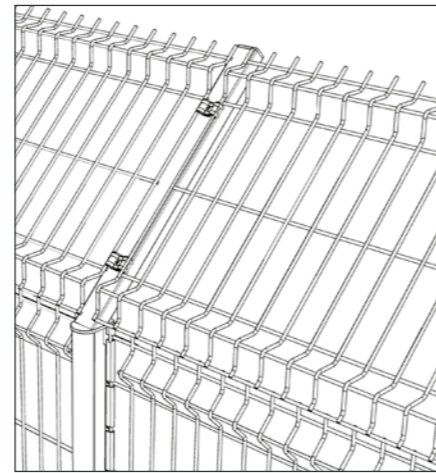
- Option of adding barbed wire to increase the security of the fence.
- Supplementary inclined arm to place the brackets and staples necessary for the installation of the barbed wire or 0m 60 frame.



BAYONET
Reversible bayonet system with barbed wire.



DOUBLE BAYONET
Double bayonet system with barbed wire.



BAYONET
Bayonet system with 0m60 frame.

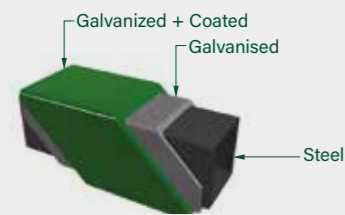
Anticorrosion coating

All the materials of system are hot dip galvanised and plastic coated with **Rivisa® Protecline** anticorrosion coating system.

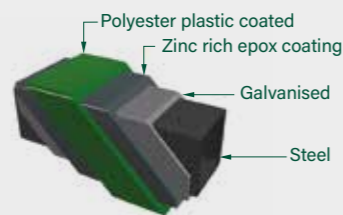
- Minimum thickness: 100 microns
- Option of applying the **Rivisa® Protecline Plus** plastic coating, which prolongs the useful life of the materials
- Option of applying the **Rivisa® Protecline Plus triple** plastic coating, which prolongs the useful life of the materials
- Available in several colours from the Rivisa RAL chart. Colours:



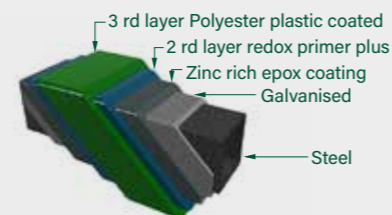
protecline



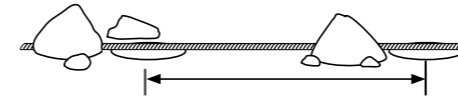
protecline PLUS



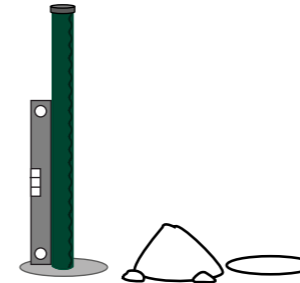
protecline TRIPLE



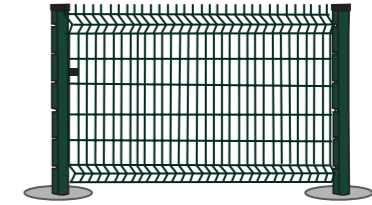
Assembly manual



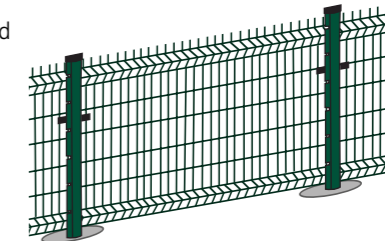
1 Mark the line of the enclosure with a rope. Drill the holes for the post foundation.



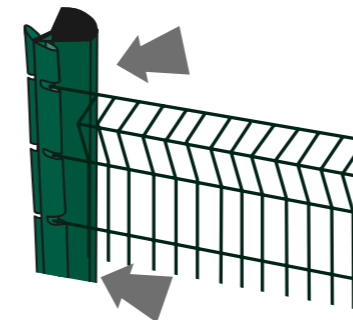
2 Cement the first post and level it with a level.



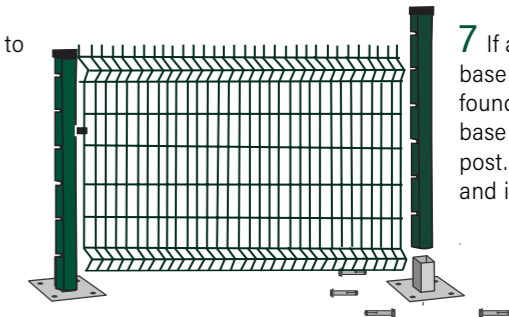
5 Install the second post following the same steps.



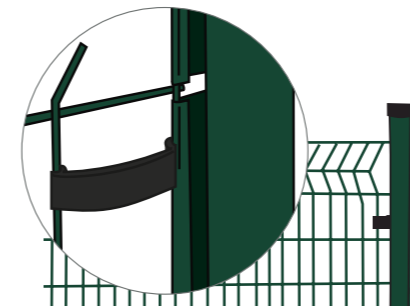
6 Repeat as many times as necessary.



3 Hook the first panel to the post.



7 If anchoring with a base plate instead of a foundation, screw the base and insert the first post. Hang the panel and insert the next post.



4 Place the upper part of the bracket on the panel and screw it to the already installed front panel with the screw. Once tightened, finish with the cap.



8 If necessary, cut the panel to obtain a more precise finish.

